

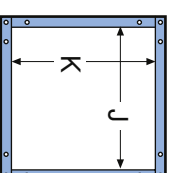
SPECIFICATIONS

Performance Data - Standard Sizes

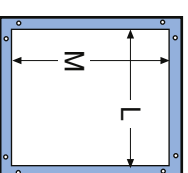
Model Size*	Media Area ft ²	Fan Motor hp	Drive Motor hp	ACFM @ 5:1 A/C	ACFM @ 10:1 A/C
4.5-40-8	400	5	1/4	2,000	4,000
4.5-40-10	500	5	1/4	2,500	5,000
5.5-60-8	600	5	1/4	3,000	6,000
5.5-60-10	750	5	1/4	3,750	7,500
6.5-90-8	900	10	1/4	4,500	9,000
6.5-90-10	1,125	10	1/4	5,625	11,250
8.5-159-8	1,590	10	1/4	7,950	15,900
8.5-159-10	1,987	10	1/4	9,935	19,870
8.5-159-12	2,385	10	1/4	11,925	23,850
11.5-320-8	3,200	15	1/4	16,000	32,000
11.5-320-10	4,000	15	1/4	20,000	40,000
11.5-320-12	4,800	15	1/4	24,000	48,000
13.5-460-8	4,600	15	1/4	23,000	46,000
13.5-460-10	5,750	15	1/4	28,750	57,500
13.5-460-12	6,900	15	1/4	34,500	69,000
16-600-10	7,500	20	1/4	37,500	75,000
16-600-12	9,000	25	1/4	45,000	90,000

Notes

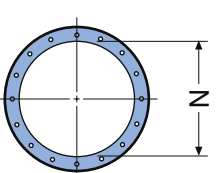
- Customer may specify less than the maximum number of bags for a given model; however, filter dimensions remain unchanged. Additional bags may be added as filtering demands increase.
- Hopper to grade height (D) may be changed per customer request.
- Entry section may be rotated 360°, except where it would interfere with ladder.
- Discharge section and ladder may be rotated together 360°, in approximately 6" increments except where they would interfere with the entry elbow.
- Counterclockwise shown, clockwise opposite.
- Structural supports are designed for 25 P.S.F. wind loading and 50 P.C.F. dust loading unless otherwise specified.
- Filters are available as bin vents and retrofits
- All units have a 360° mounting ring.
- 4.5' and 5.5' units are not walk-in filters.



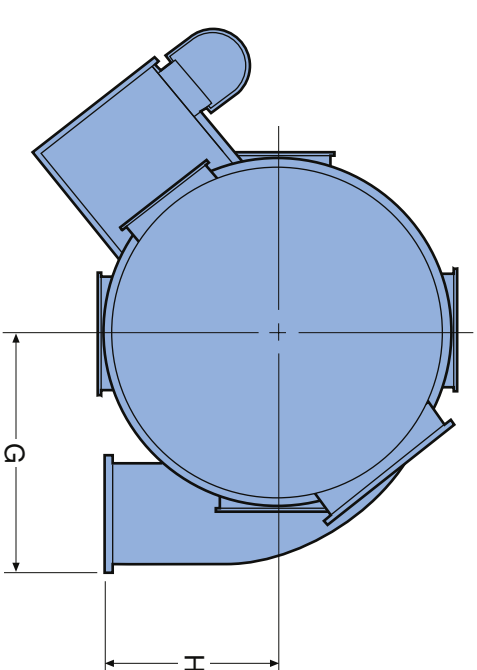
Air Discharge



Air Entry



Hopper Outlet



Model Size	Dimensions*														Weight* (lbs.)	
	A	B	C	D	E	F	G	H	J	K	L	M	N	Filter Unit	Complete Structure	
4.5-40-8	4'6"	20'5"	16'4"	4'6"	2'1"	17'4"	3'8"	2'3"	1'6"	1'6"	1'4"	1'4"	2'0"	2,800	3,800	
4.5-40-10	4'6"	22'5"	18'4"	4'6"	2'1"	19'4"	3'8"	2'3"	1'6"	1'6"	1'4"	1'4"	2'0"	3,100	4,200	
5.5-60-8	5'6"	21'4"	17'2"	4'6"	2'11"	18'2"	4'2"	2'9"	1'6"	1'6"	1'4"	1'4"	2'0"	5,900	7,600	
5.5-60-10	5'6"	23'4"	19'2"	4'6"	2'11"	20'2"	4'2"	2'9"	1'6"	1'6"	1'4"	1'4"	2'0"	6,700	8,700	
6.5-90-8	6'6"	30'6"	19'7"	4'6"	3'10"	20'5"	5'8"	3'3"	3'6"	3'6"	2'6"	2'6"	2'0"	5,900	7,600	
6.5-90-10	6'6"	32'6"	21'7"	4'6"	3'10"	22'5"	5'8"	3'3"	3'6"	3'6"	2'6"	2'6"	2'0"	6,700	8,700	
8.5-159-8	8'6"	32'3"	21'4"	4'6"	5'7"	22'2"	6'8"	4'3"	3'6"	3'6"	3'0"	2'6"	2'0"	8,000	10,200	
8.5-159-10	8'6"	34'3"	23'4"	4'6"	5'7"	24'2"	6'8"	4'3"	3'6"	3'6"	3'0"	2'6"	2'0"	9,200	11,800	
8.5-159-12	8'6"	37'9"	25'4"	4'6"	5'7"	26'2"	6'8"	4'3"	3'6"	3'6"	3'0"	2'6"	2'0"	10,400	13,300	
11.5-320-8	11'6"	39'0"	28'1"	6'0"	7'4"	28'6"	8'2"	5'9"	4'0"	4'1'0"	3'6"	4'0"	3'0"	12,500	16,400	
11.5-320-10	11'6"	39'0"	28'1"	6'0"	7'4"	28'6"	8'2"	5'9"	4'0"	4'1'0"	3'6"	4'0"	3'0"	14,400	18,900	
11.5-320-12	11'6"	42'6"	30'1"	6'0"	7'4"	30'6"	8'2"	5'9"	4'0"	4'1'0"	3'6"	4'0"	3'0"	16,300	21,300	
13.5-460-8	13'6"	41'5"	30'6"	4'6"	10'3"	30'11"	10'2"	6'9"	5'2"	4'1'0"	5'0"	5'0"	2'0"	16,800	20,700	
13.5-460-10	13'6"	41'5"	30'6"	4'6"	10'3"	30'11"	10'2"	6'9"	5'2"	4'1'0"	5'0"	5'0"	2'0"	19,300	23,800	
13.5-460-12	13'6"	44'11"	32'6"	4'6"	10'3"	32'11"	10'2"	6'9"	5'2"	4'1'0"	5'0"	5'0"	2'0"	20,700	26,800	
16-600-10	16'0"	46'5"	35'6"	6'0"	12'0"	35'10"	12'3"	8'0"	7'0"	7'0"	6'0"	7'0"	3'0"	26,600	33,700	
16-600-12	16'0"	49'11"	32'6"	6'0"	12'0"	37'10"	12'3"	8'0"	7'0"	7'0"	6'0"	7'0"	3'0"	28,900	36,400	

*Dimensions and weights are nominal. Please consult factory prior to layout for exact dimensions.

